

SERIE GP.40-50

PROFESSIONAL

- Automatic feed - mechanical clutch
- Geared drive
- Displaceable table and fixed headstock



Standard equipment

- Adjustable depth end
- Tool ejector
- Motor guard and emergency push button
- Turning sense selector
- Electrical equipment at low voltage
- Drill guard with stop micro
- CE norms



Extra Equipment

- 20010** Lighting equipment
- 91118** Coolant equipment
- 30084** Rotating and tilting table (for serie GP.40 and standard in GP.50)
- 20087** Reversible rotating table with vice (series GP.40)
- 20042** Tapping system IR/RS

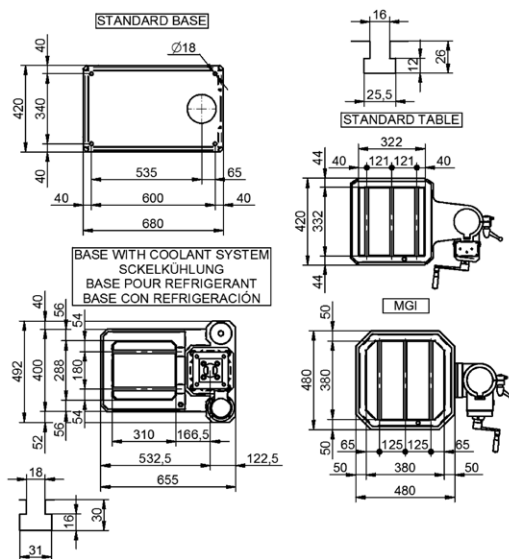
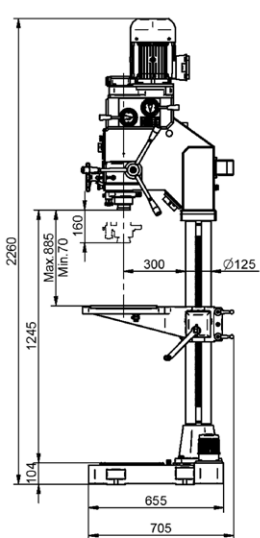
SANDFELD [®]_{AS}
VÆRKTØJSMASKINER

Birkegårdsvej 2 · 7400 Herning · Denmark · Phone +45 97 11 92 22 · www.sandfeld.com

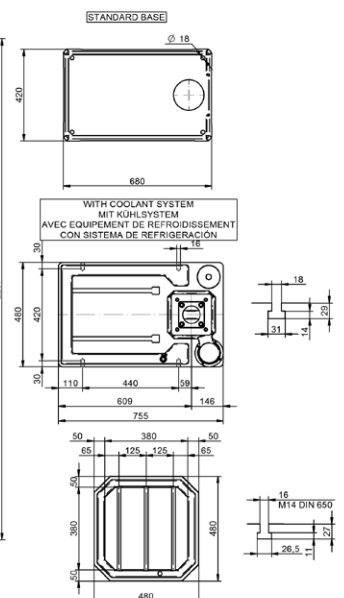
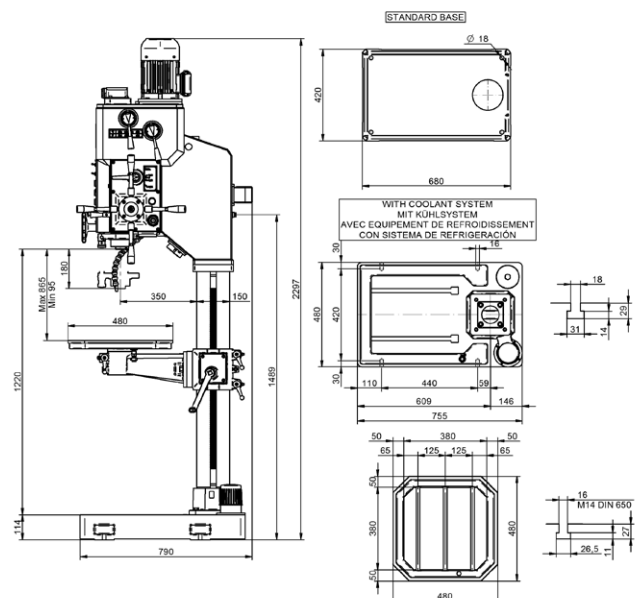
Characteristics

	GP.40	GP.50
DRILLING CAPACITY IN STEEL OF 70 KG. (mm)	40	50
TAPPING CAPACITY IN STEEL OF 70 KG.	M30	M35
TRANSMISSION	GEARS (Hardened and grounded)	
SPEED NUMBER AND RANGE 50Hz.	75-150-235-325-470-650 1050-2100 rpm.	93-152-204-298-443 695-970-1420 rpm.
MAIN MOTOR POWER (rpm)	1,8/3,2 HP - 750/1500 rpm.	4 HP - 1500 rpm.
FEED	AUTOMATIC	
NUMBER AND RANGE OF FEEDS	(3) 0,10-0,20-0,30	(3) 0,10-0,18-0,24
CLUTCH	MECHANIC	
SPINDLE CONE	MT4	
SPINDLE STROKE	160 mm	180 mm
DISTANCE SPINDLE-COLUMN	300 mm	350 mm
DISTANCE SPINDLE-TABLE	Min. 70 mm/ Max. 885 mm	Min. 95 mm/ Max. 865 mm
DISTANCE SPINDLE-BASE	1230 mm	1220 mm
COLUMN DIAMETER	Ø125 mm	Ø150 mm
DIMENSIONS OF THE TABLE WITH T SLOTS	400x420 mm	480x480 mm
DIMENSIONS OF THE BASE	400x655 mm	
COOLANT EQUIPMENT	NO	
LIGHTING EQUIPMENT	NO	
WEIGHT: NET / GROSS KG.	300/400 Kg.	435/565 Kg.
PACKAGING DIMENSIONS AND VOLUME	2370x600x960 mm / 1,37 m ³	2380x620x1050 mm / 1,55 m ³

Dimensions



GP.40



GP.50